



SERVER PRO

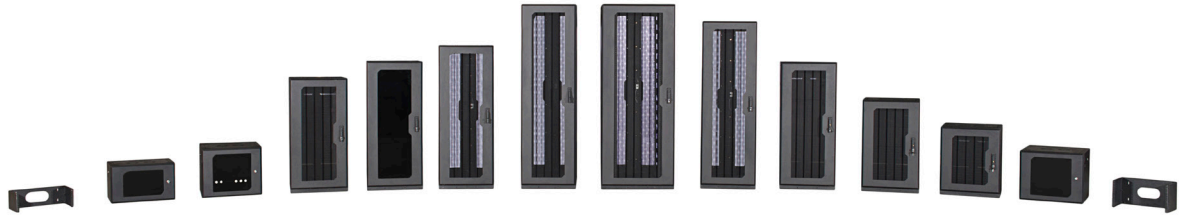
Catalog 2020

 **METROBIT**
INDUSTRY



- . Enforced front door with three-point lock
- . 19" standard installation with Various accessories
- . Removable side panels and Assembled frame structure
- . Leveling feet and heavy-duty castors
- . Several lockable cable entries on top and bottom
- . Front and rear door easy to install, remove and reverse
- . Bottom ventilation and rat proof
- . Load capacity: Static load 1500 KG

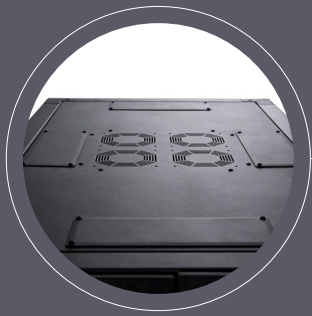
SERVER PRO



Size Chart

PART NUMBER	HEIGHT (inch)	WIDTH (inch)	DEPTH (inch)	RACK UNIT
MR-32-2323-S	62	23.7	23.7	32
MR-32-2331-S	62	23.7	31.5	32
MR-32-2339-S	62	23.7	39.5	32
MR-38-2323-S	72	23.7	23.7	38
MR-38-2331-S	72	23.7	31.5	38
MR-38-2339-S	72	23.7	39.5	38
MR-38-3139-S	72	31.5	39.5	38
MR-42-2323-S	79.5	23.7	23.7	42
MR-42-2331-S	79.5	23.7	31.5	42
MR-42-2339-S	79.5	23.7	39.5	42
MR-42-2343-S	79.5	23.7	43.5	42
MR-42-2347-S	79.5	23.7	47.3	42
MR-42-3139-S	79.5	31.5	39.5	42
MR-42-3143-S	79.5	31.5	43.5	42
MR-42-3147-S	79.5	31.5	47.3	42
MR-48-2323-S	90	23.7	23.7	48
MR-48-2331-S	90	23.7	31.5	48
MR-48-2339-S	90	23.7	39.5	48
MR-48-3139-S	90	31.5	39.5	48
MR-48-3143-S	90	31.5	43.5	48
MR-48-3147-S	90	31.5	47.3	48

SIZE CHART

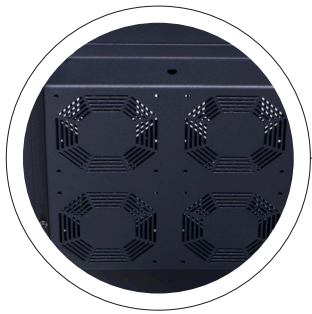
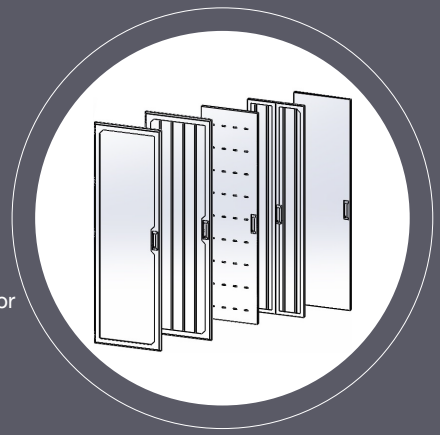


Cabinet Roof

4 cable entry space can be used directly or with brush, Foam or other entry accessories
4 preconfigured fans

Door Options:
Tempered Glass door
Plexi Glass door
Perforated door
Louver door
Solid door

Double perforated door



Fan Module

Pre configured fan module with 4 fans installed on cabinet top removable module



Door lock

Standard 3 point locking system to ensure secure door locking Multi point locking system available



Side Panels

Dual separated side panels on each side
Lockable sliding latch



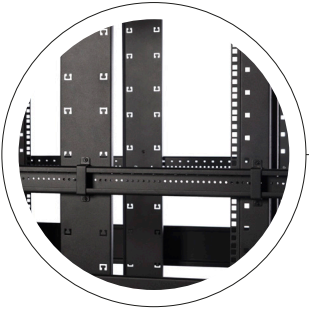
Back door

Perforated double back door 3 point locking system
available options:
removable panel, louver panel, plexi glass door, tempered glass door single perforated door



19 inch rails

Standard 19 inch punches compatible with all standard 19 inch rackmount devices
punches for M6 cage nuts
Silkscreen printed unit numbers



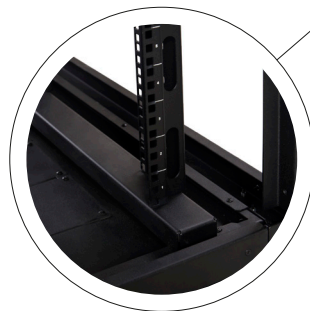
Moving in depth

Adjustable 19 inch rails in depth in every 4/1 inch (11.1125 mm)
pre configured cable tray in middle



Floor

Heavy duty casters
Leveling feet
Adjustable floor mount adapter



Direct weight control

Direct rail holders available in addition to standard structure on wide cabinets to reach maximum weight capacity





Metrobit Industry Inc.

16-40 North Rivermede Rd, Vaughan, ON, L4K 2H3

| www.metrobit.ca | Telephone: 1-905-764-6666 Ext. 1000

email: industry@metrobit.ca